

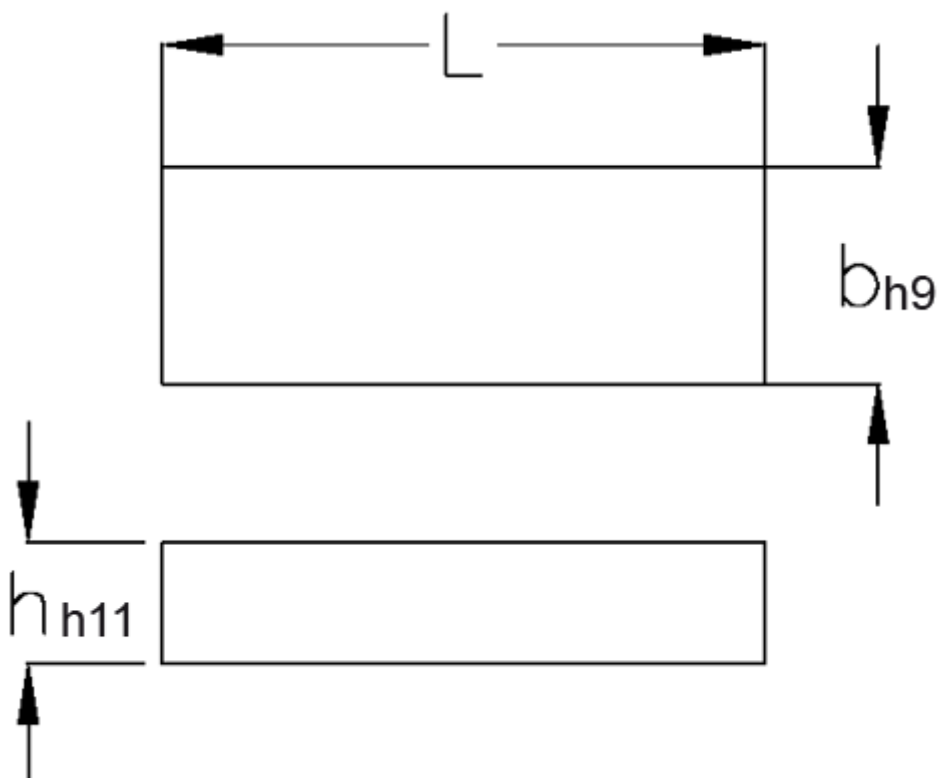
Data Sheet



Article number: 0906181163

Description: KLEE Feather keys B 18x11x63 DIN 6885

Measures



b = 18

h = 11

L = 63

Tolerance b = 0.043

Tolerance h = 0.110

Tolerance L = -0,3